



100L BUOY

The 100L buoy is a **compact, robust and easy-to-deploy** solution for a variety of maritime and inland waterway applications. Designed to adapt to different environments, it can be used in harbours, estuaries, lakes, ponds or even at sea in moderate conditions.



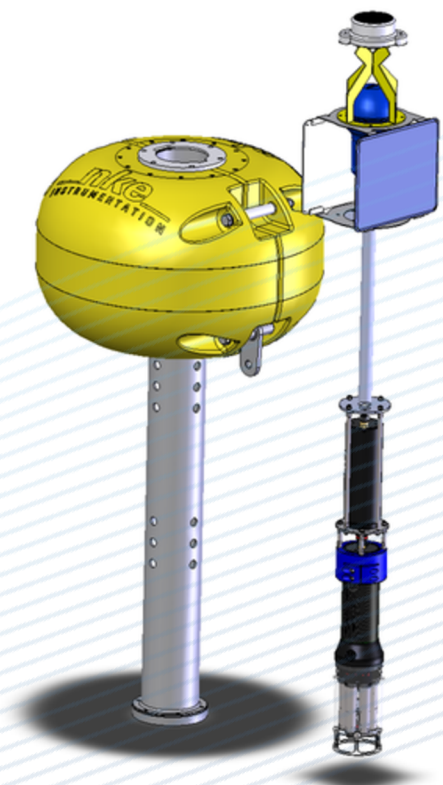
DREDGING



**CONTINUOUS COASTAL
ZONE MONITORING**



**CONTINUOUS SURFACE
WATER MONITORING**



CUSTOMIZABLE AND SELF-POWERED

Optional: solar panel power supply
Optional: strobe light and Saint Andrew's cross

EASY TO TRANSPORT

The buoy has been designed to be easily transported using standard shipping routes.

ENVIRONMENTAL ADAPTABILITY

Deployable as a 1-point or 2-point mooring, depending on deployment site.

RELIABLE

The buoy has been designed to be operational in challenging environments:

- up to 100km/h wind
- up to 2 knots

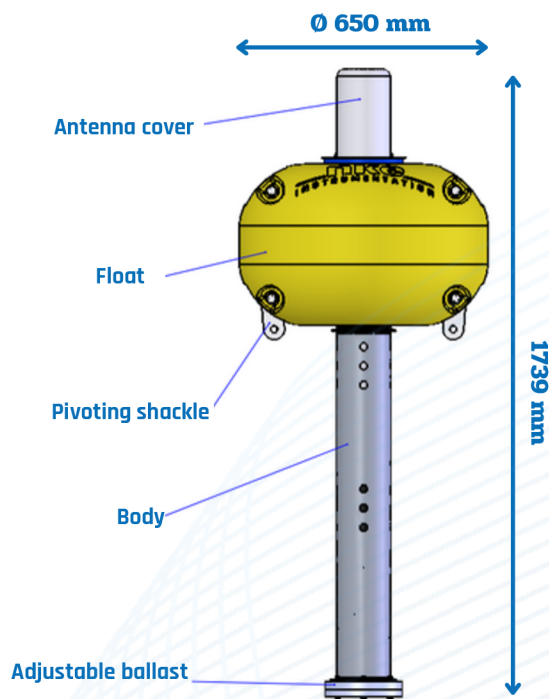
EASY TO DEPLOY

Can be deployed in harbors, protected bays, estuaries, lakes, ponds...
One-person handling.
Handles to assist handling.

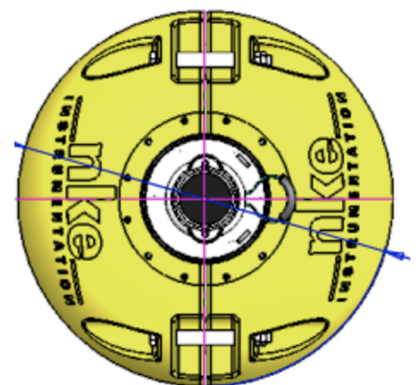
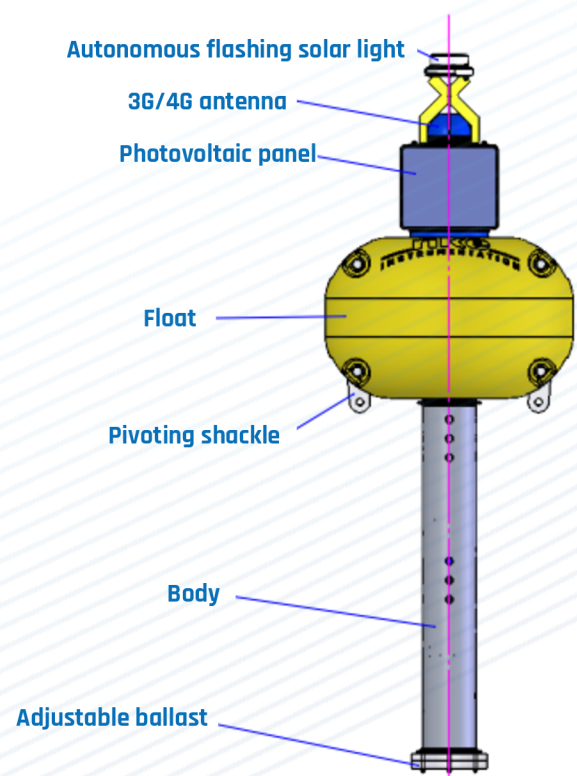
Specifications

FLOAT	VOLUME	TUBE	WEIGHT
Yellow Polyethylene	100L	Aluminum	26kg

STANDARD



OPTIONAL



SALES DEPARTMENT



+33 2 97 36 11 81



info.instrumentation@nke.fr